

TECHNICAL SPECIFICATIONS TRAFICAM INTERFACES

TRAFICAM INTERFACE (9 WIRES) USB OR TI (9 WIRES) USB:



Name Interface	TrafiCam Interface (9 wires) USB
Abbreviation (short name)	TI (9 wires) USB
Product Reference Number	10-6025 USB
Basic Functionality	<ul style="list-style-type: none"> - Connecting zone output(s) from TrafiCam to controller - Providing power to TrafiCam - Connecting portable PC to TrafiCam for system configuration & viewing
# TrafiCams to Connect	1
Power IN	12–26VAC/DC via connector or via clamps, power LED (red)
Power OUT	12–26VAC/DC to maximum 1 TrafiCam via clamps
Port PC – Interface	USB
# Detection Outputs	<ul style="list-style-type: none"> - 4 optical coupled dry contacts via clamps - Pmax = 300mW, I_{max} = 50mA, U_{max} = 48VDC - “close on event” or “open on event” (setting TrafiCam PC Tool) - 4 output LEDS (green) - “detection output 1-4” and “common detection output”
# Error Outputs	None
Interface Firmware	No
Communications TrafiCam – Interface	RS-485, Traficon protocol
Cable TrafiCam – interface	9 wires + shielding via clamps: <ul style="list-style-type: none"> - Communications: RS-485A, RS-485B - Outputs: output 1, output 2, output 3, output 4 and common output - Power: +, - - Ground (shielding)
Mass	≈ 100 g
Physical Dimensions (L x W x D)	≈ 8 cm x 8 cm x 4 cm
Interface Mounting	DIN-rail clickable
Regulatory Issues	No active components



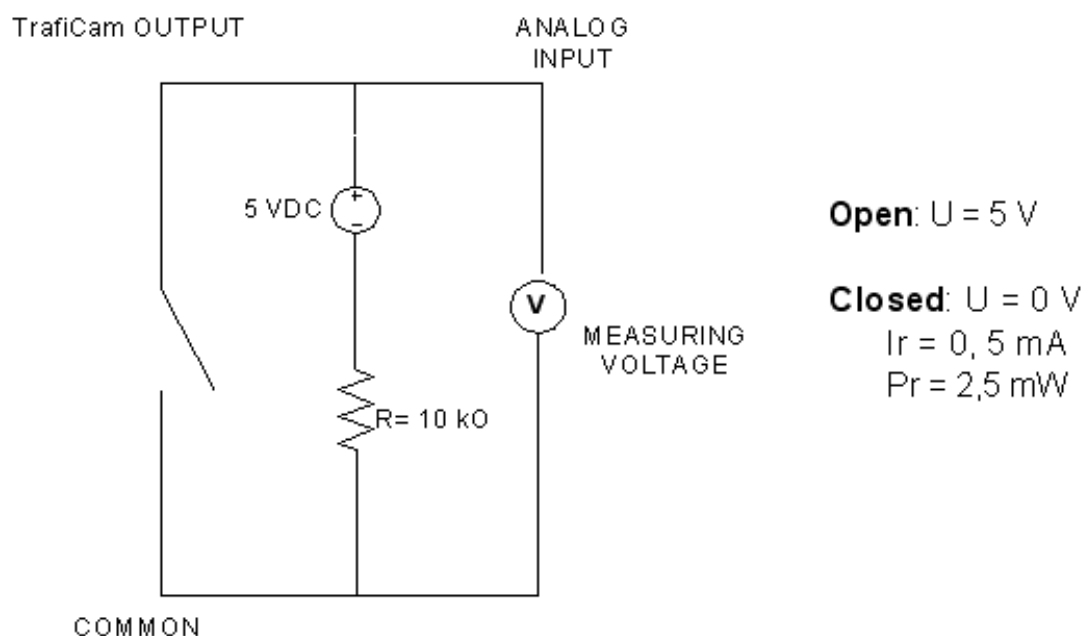
1 TRAFICAM INTERFACE OR 1TI:

Name Interface	1 TrafiCam Interface
Abbreviation (short name)	1TI
Product Reference Number	10-6028
Basic Functionality	<ul style="list-style-type: none"> - Connecting zone output(s) from TrafiCam to controller - Providing power to TrafiCam - Connecting portable PC to TrafiCam for system configuration & viewing
# TrafiCams to Connect	1
Power IN	12–26VAC/DC via clamps, power LED (red)
Power OUT	12–26VAC/DC to maximum 1 TrafiCam via clamps
Port PC – Interface	USB
# Detection Outputs	<ul style="list-style-type: none"> - 4 optical coupled dry contacts via clamps - Pmax = 300mW, I_{max} = 50mA, U_{max} = 48VDC - “close on event” or “open on event” (setting TrafiCam PC Tool) - 4 output LEDs (green) - “detection output x” and “common detection output”
# Error Outputs	<ul style="list-style-type: none"> - 1 general optical coupled dry contact via clamps - Pmax = 300mW, I_{max} = 50mA, U_{max} = 48VDC - “open on event” (hardware output) - RUN LED (green) - “error output” and “common error output”
Function of Error Output	Error in 1TI or power supply 1TI down
Interface Firmware	Yes
Communications TrafiCam – Interface	RS-485, Traficon protocol
Cable TrafiCam – Interface	4 wires + shielding via clamps: <ul style="list-style-type: none"> - Communications: RS-485A, RS-485B - Power: +, - - Ground (shielding)
Current Consumption	≤ 78mA @ 12VDC, ≤ 42mA @ 24VDC
Power Consumption	≤ 1W (excl. TrafiCams)
Mass	≈ 120 g
Physical Dimensions (L x W x D)	≈ 12,5 cm x 8,5 cm x 5 cm
Interface Mounting	DIN-rail clickable
Regulatory Issues	<ul style="list-style-type: none"> - EMC: Electromagnetic Compatibility - 2004/108/EG - FCC: FCC part 15 class A - Shock & Vibration NEMA II specs

4 TRAFICAM INTERFACE OR 4TI



Name Interface	4 TrafiCam Interface
Abbreviation (short name)	4TI
Product Reference Number	10-6027
Basic Functionality	<ul style="list-style-type: none"> - Connecting zone output(s) from TrafiCam(s) to controller - Providing power to TrafiCam(s) - Connecting portable PC to TrafiCam(s) for system configuration & viewing
# TrafiCams to Connect	1, 2, 3 or 4
Power IN	12–26VAC/DC via clamps, power LED (red)
Power OUT	12–26VAC/DC to up to 4 TrafiCams via clamps
Port PC – Interface	USB
# Detection Outputs	<ul style="list-style-type: none"> - 16 optical coupled dry contacts via clamps - Pmax = 300mW, I_{max} = 50mA, U_{max} = 48VDC - “close on event” or “open on event” (setting TrafiCam PC Tool) - 16 output LEDS (green) - “detection output x” and “common detection output”
# Error Outputs	<ul style="list-style-type: none"> - 1 general optical coupled dry contact via clamps - Pmax = 300mW, I_{max} = 50mA, U_{max} = 48VDC - “open on event” (hardware output) - RUN LED (green) - “error output” and “common error output”
Function of Error Output	Error in 4TI or power supply 4TI down
Interface Firmware	Yes
Communications TrafiCam – Interface	RS-485, Traficon protocol
Cable TrafiCam – Interface	4 wires + shielding via clamps: <ul style="list-style-type: none"> - Communications: RS-485A, RS-485B - Power: +, - - Ground (shielding)
Current Consumption	≤ 120mA @ 12VDC, ≤ 60mA @ 24VDC
Power Consumption	≤ 1,5W (excl. TrafiCams)
Mass	≈ 250 g
Physical Dimensions (L x W x D)	≈ 18,5 cm x 8,5 cm x 5 cm
Interface Mounting	DIN-rail clickable
Regulatory Issues	<ul style="list-style-type: none"> - EMC: Electromagnetic Compatibility - 2004/108/EG - FCC: FCC part 15 class A - Shock & Vibration NEMA II specs



TrafiCam output wiring diagram

YOUR CONTACT